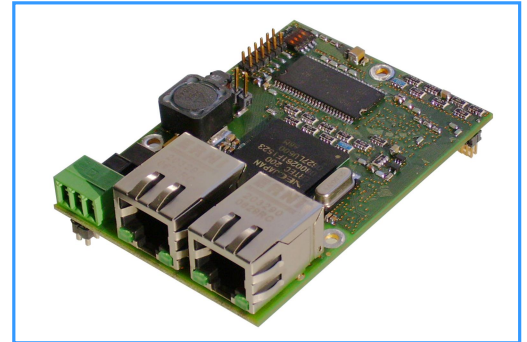


## PROFINET IO<sup>®</sup> Hardware Design Package

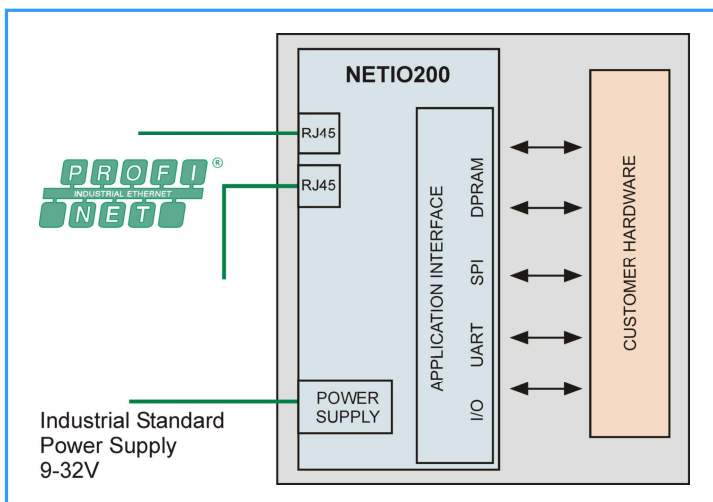
### Overview

The PROFINET IO Hardware Design Package is the ideal solution to add PROFINET functionality to a product. It offers a PROFINET IO communication interface based on the powerful processor ERTEC200. Furthermore it contains plenty of resources to integrate complex signal conditioning or control algorithms.



### Delivery Content

- Schematics, bill of material (BOM) for lead free design
- HW Design Document incl. calculations
- Test documents
- Layout example for P-CAD



### Related Services and Products

- Implementation of PROFINET Hardware and Software for IO/IRT
- Implementation of certain specific Application Interface
- Test: Slave device conformance test in fieldbus laboratory

### Technical Description

- PROFINET IO interface with integrated 2-Port 10/100Mbit Ethernet Switch
- Applicable also for EtherNet/IP or Modbus/TCP
- 2 Ethernet Downlink RJ45-Ports alternative M12-Ports
- Siemens ERTEC200 with ARM946ES Core, 50/100/150MHz Clock, 4MB Flash, 64MB SDRAM
- Application interface: Dual Port RAM (8k x 16 bit) SPI / UART  
GPIO (36 configurable I/O lines, 3 interrupts)
- Interface Connector 1,27mm Pitch PCB Pin header to customer hardware
- Connector 2,54mm Pitch PCB Pin header to connect flat cable
- JTAG / TRACE Ports
- External power supply 9..32V / 2W
- Operating temperature: -40...+85 °C
- Module size (LxBxH in mm): 76x54x18

### Order Information

No. 37000